

## PARTS CATALOG

---

### Series PVFY Vertical Concealed Indoor Unit "B"

<Indoor unit>

Models **PVFY-P12E00B, PVFY-P18E00B**  
**PVFY-P24E00B, PVFY-P30E00B**  
**PVFY-P36E00B, PVFY-P48E00B**  
**PVFY-P54E00B**



---

#### CONTENTS

---

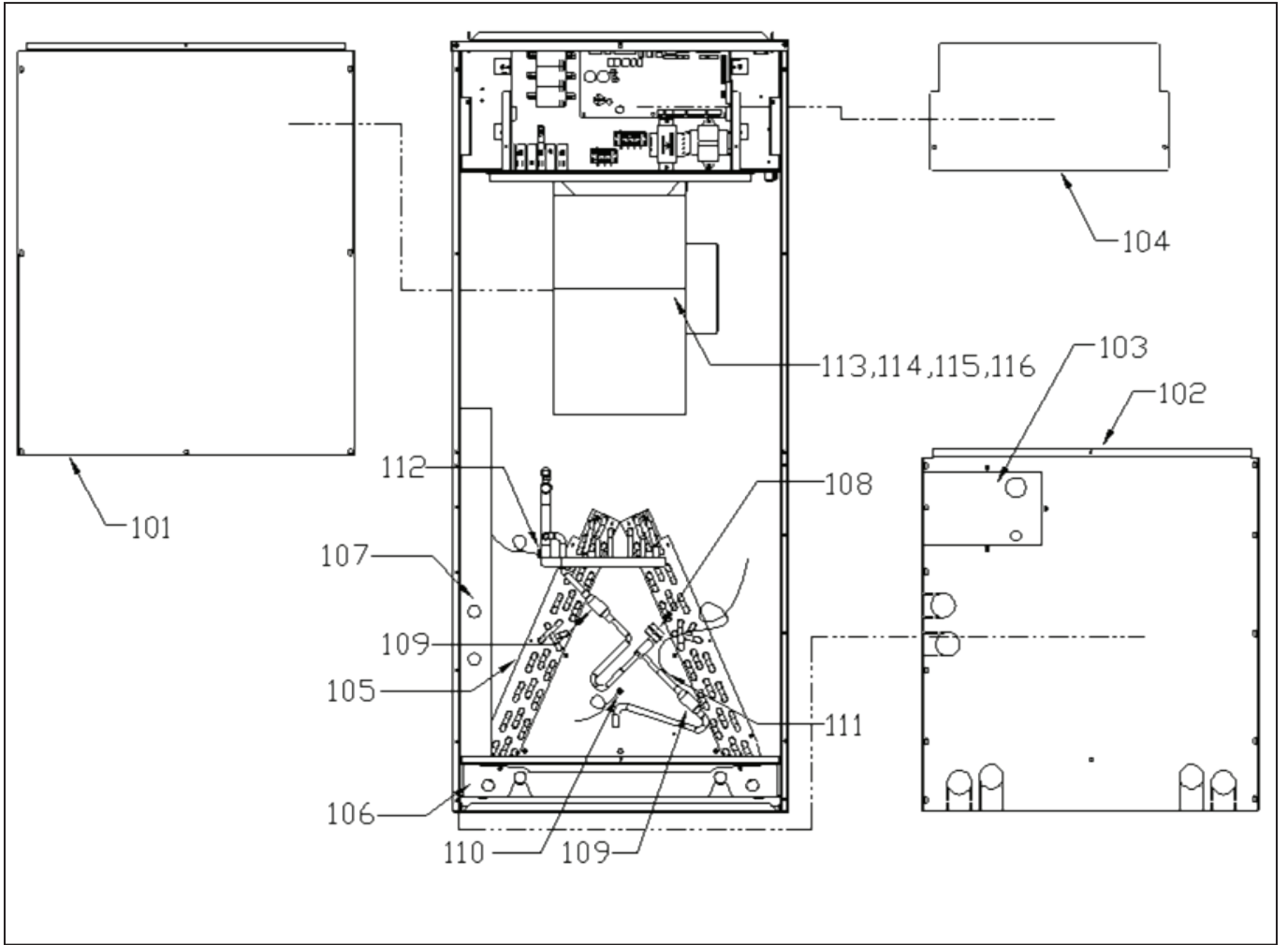
- 1. CABINET PARTS ..... 2
- 2. CONTROL BOX PARTS ..... 4



**For use with R410A only**

# 1

## CABINET PARTS



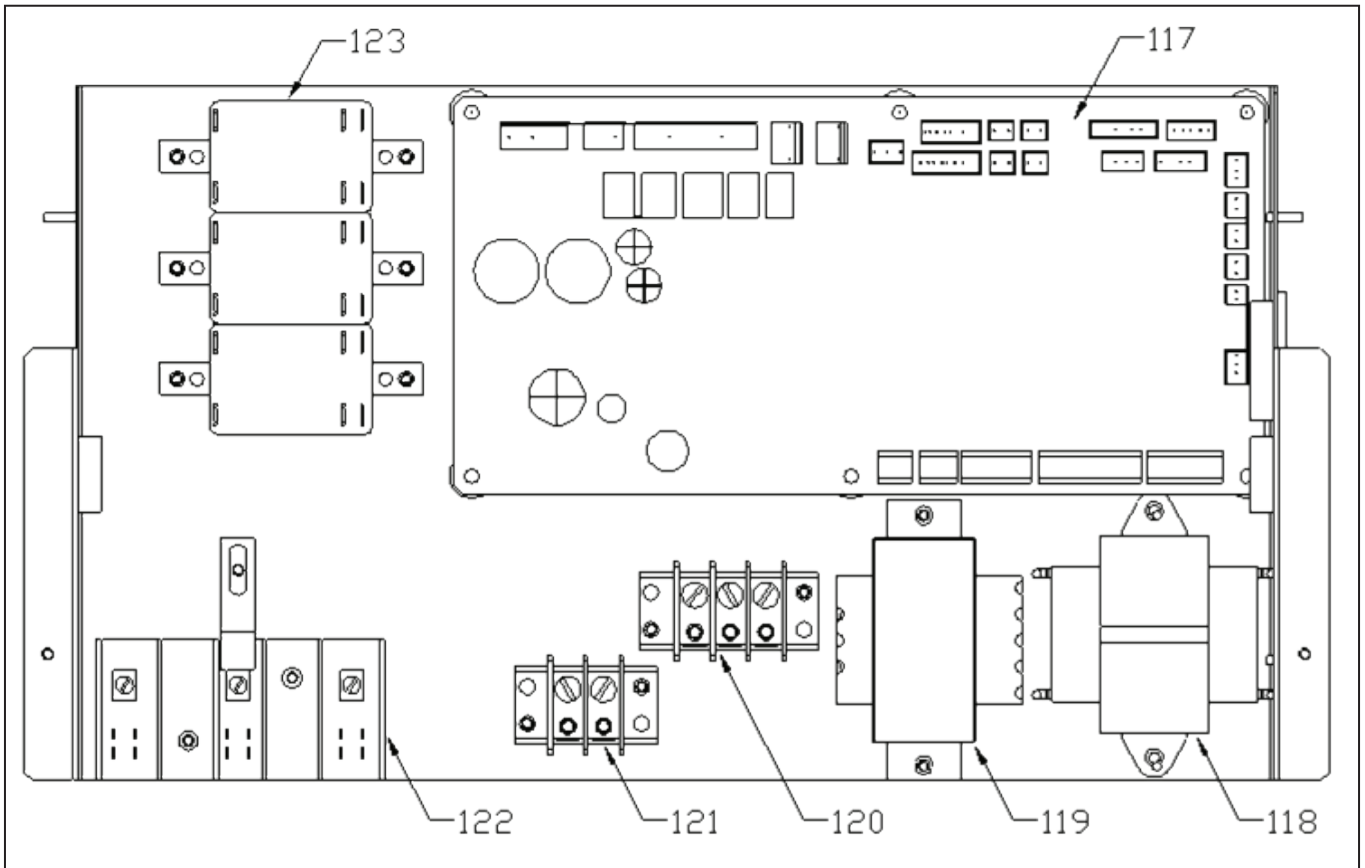
## 1

## CABINET PARTS

Item	Description	Part Number	Specification	Model (PVFY)						
				P12	P18	P24	P30	P36	P48	P54
101	Front upper panel	R87IFC006		1	1	1				
		R87IFC004				1	1			
		R87IXB105						1	1	
102	Front lower panel	R87IFB111		1	1	1				
		R87IFB300				1	1			
		R87IXA110						1	1	
103	Manifold Door	R87IFA300		1	1	1	1	1	1	
104	Control box cover	R87BPB010		1	1	1	1	1	1	
105	Heat exchanger	RB012	Includes: Vertical drain pan. Does not include linear expansion valve, thermistors or strainers	1						
		RB018			1					
		RB024				1				
		RB030					1			
		RB036						1		
		RB048							1	
		RB054								1
106	Vertical Drain Pan	R71AA0013		1	1	1				
		R71AA0051				1	1			
		R71AA0037						1	1	
107	Horizontal Drain pan	R71AA0046		1	1	1				
		R71AA0031				1	1			
		R71AA0038						1	1	
108	Linear expansion valve	R61 019 401	EFM-40	1	1	1				
		R61 020 401	EFM-80				1	1	1	
		R61 021 401	EFM-A0							1
109	Strainer	R61 0H4 454		2	2	2	2	2	2	
110	Sensor assy	R61 072 200	Return air <TH21>	1	1	1	1	1	1	
111	Sensor assy	R61 071 200	Liquid line <TH22>	1	1	1	1	1	1	
112	Sensor assy	R61 073 200	Suction <TH23>	1	1	1	1	1	1	
113	Blower motor	R65BV0025B-P12	.33HP X13 230V / P12	1						
		R65BV0025B-P18	.33HP X13 230V / P18		1					
		R65BV0025B-P24	.33HP X13 230V / P24			1				
		R65BV0025B-P30	.33HP X13 230V / P30				1			
		R65BV0026B-P36	.50HP X13 230V / P36					1		
		R65BV0027B-P48	.75HP X13 230V / P48						1	
		R65BV0027B-P54	.75HP X13 230V / P54							1
114	Blower wheel & housing	R69AD0001	Morrison 9x6, P12/P18	1	1	1				
		R69AD0002	Morrison 10x7, P24/P30/P36				1	1		
		R69AD0017	Morrison 12x9, P48/P54						1	1
115	Motor mount leg	R66AB0059		4	4	4	4	4	4	
116	Leg clamp	R66AB0058		1	1	1	1	1	1	

# 2

# CONTROL BOX PARTS



Item	Description	Part Number	Specification	Model (PVFY)						
				P12	P18	P24	P30	P36	P48	P54
117	PCA Board	R61178280		1	1	1	1	1	1	1
118	Transformer	R68AA0005	208/230V / 27V	1	1	1	1	1	1	1
119	Transformer	R61 019 260	240V/23.2V-1.1A <T>	1	1	1	1	1	1	1
120	Terminal block	R68DC0024	<TB5>	1	1	1	1	1	1	1
121	Terminal block	R68DC0026	<TB15>	1	1	1	1	1	1	1
122	Terminal block	R68DC0025	208/230V <TB2>	1	1	1	1	1	1	1
123	Fan speed relay	R68AB0018	240 Coil	3	3	3	3	3	3	3

**MANUFACTURED FOR:  
MITSUBISHI ELECTRIC US, INC.**